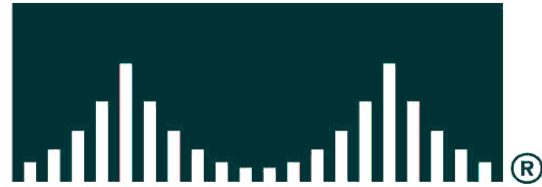


CISCO SYSTEMS

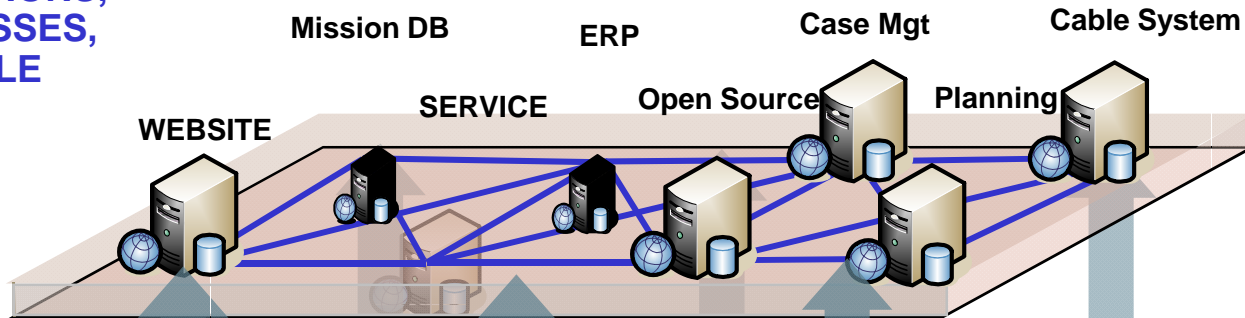


The Cisco Service-Oriented Network Architecture and AON

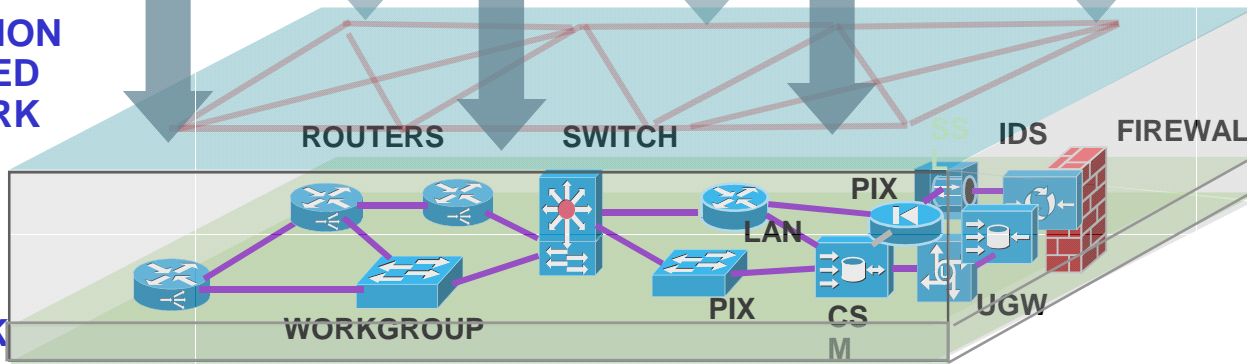
January 7, 2008

Cisco Application-Oriented Networking (AON)

APPLICATIONS, PROCESSES, PEOPLE



APPLICATION ORIENTED NETWORK



PACKET NETWORK

DATA / DOMAIN CONTENT
USER INTERACTION
BUSINESS LOGIC
BUSINESS PROCESS
EVENT CAPTURE / VISIBILITY
MESSAGE SECURITY
MESSAGING / ROUTING

AVAILABILITY / QOS / FAILOVER
CONTENT / LOAD BALANCING
PACKET SECURITY
PACKET DELIVERY / ROUTING

- ✓ Network understands Messages
- ✓ Transparent to Applications
- ✓ Extends existing network

- ✓ Improves visibility, security, performance
- ✓ Lower TCO, better business decisions
- ✓ Holistic use of infrastructure



AON Software Architecture

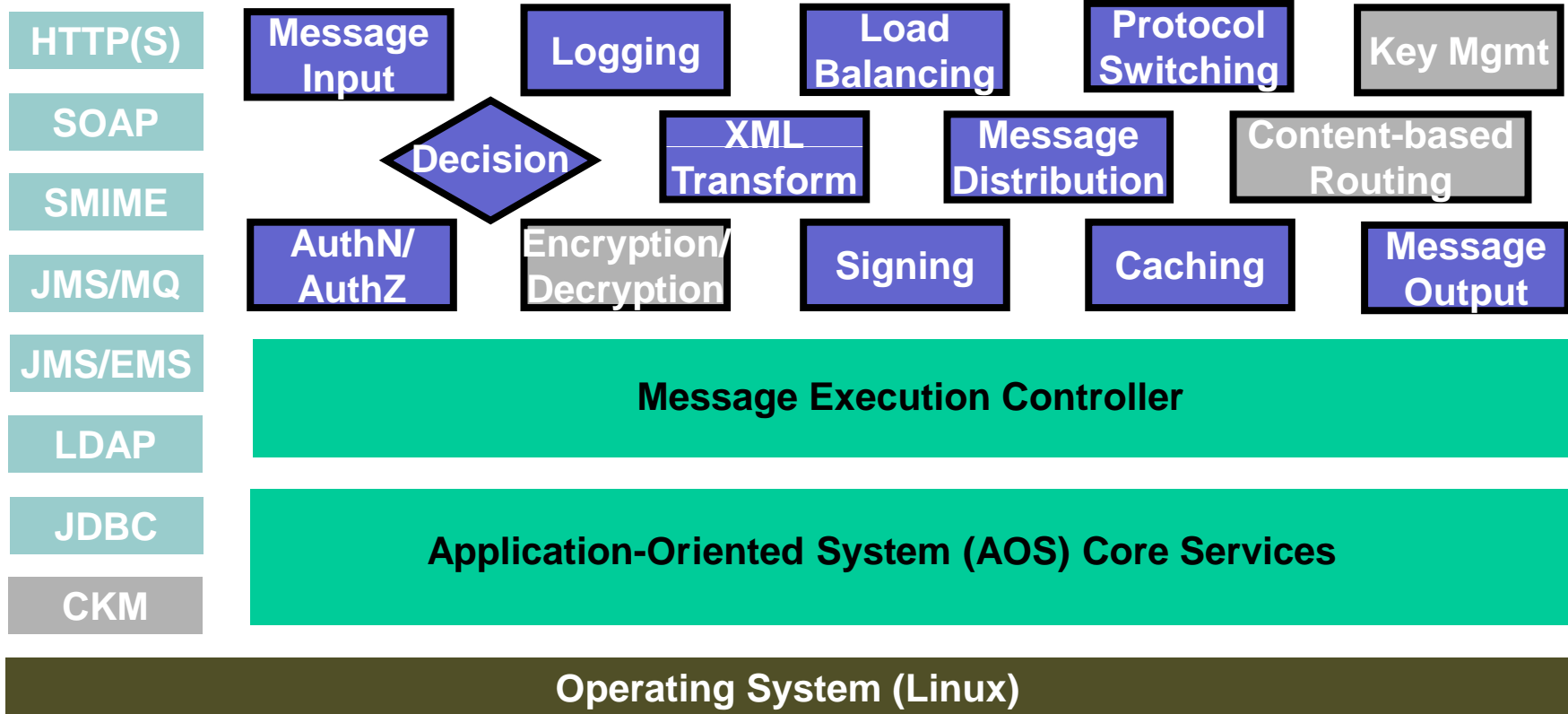
AON Design Studio

Tools

AON Management Console

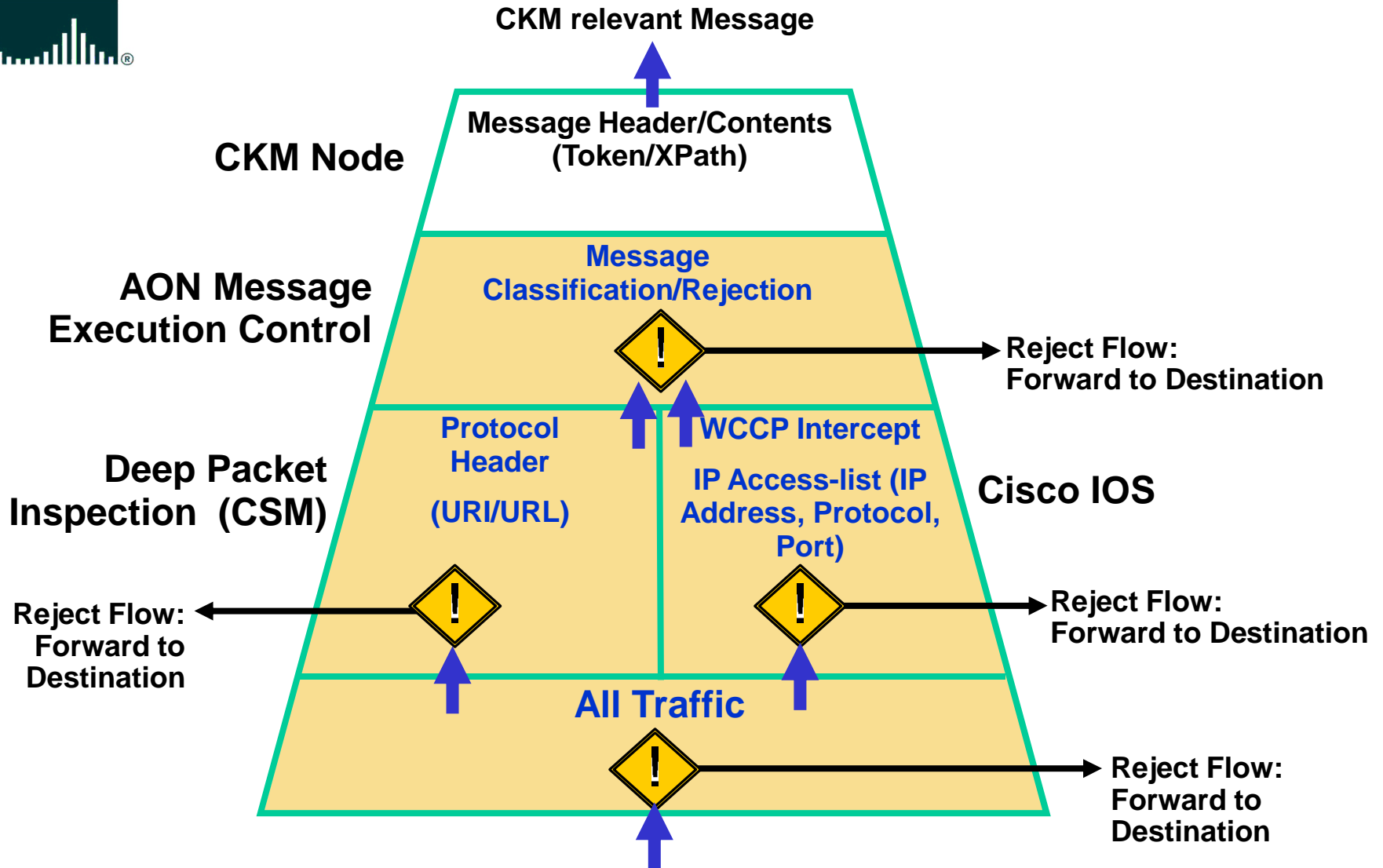
Access Method & Callout Adapters:

Functional Elements ("bladelets"):



Transparent Interception

Redirection, Pre-Classification and Early Rejection



AON Solution Overview

Ensuring your success in migrating to SOA

End-to-end visibility and control across your SOA
From business process down to infrastructure

Visibility

- Discover the “big picture” across your SOA with Security
- Map IT’s impact on business
- Measure SOA health using business metrics
 - Quickly identify, pinpoint and resolve issues at any layer
- Discover “rogue” services
 - Bring them under governance automatically

Control

- Ensure security, reliability, and scalability of your SOA
- Maximize reusability and interoperability of services
- Optimize your SOA for business value *in real-time*
 - Automatically respond to changing business conditions
- Manage compliance centrally
 - Define policies once and apply them globally and immediately